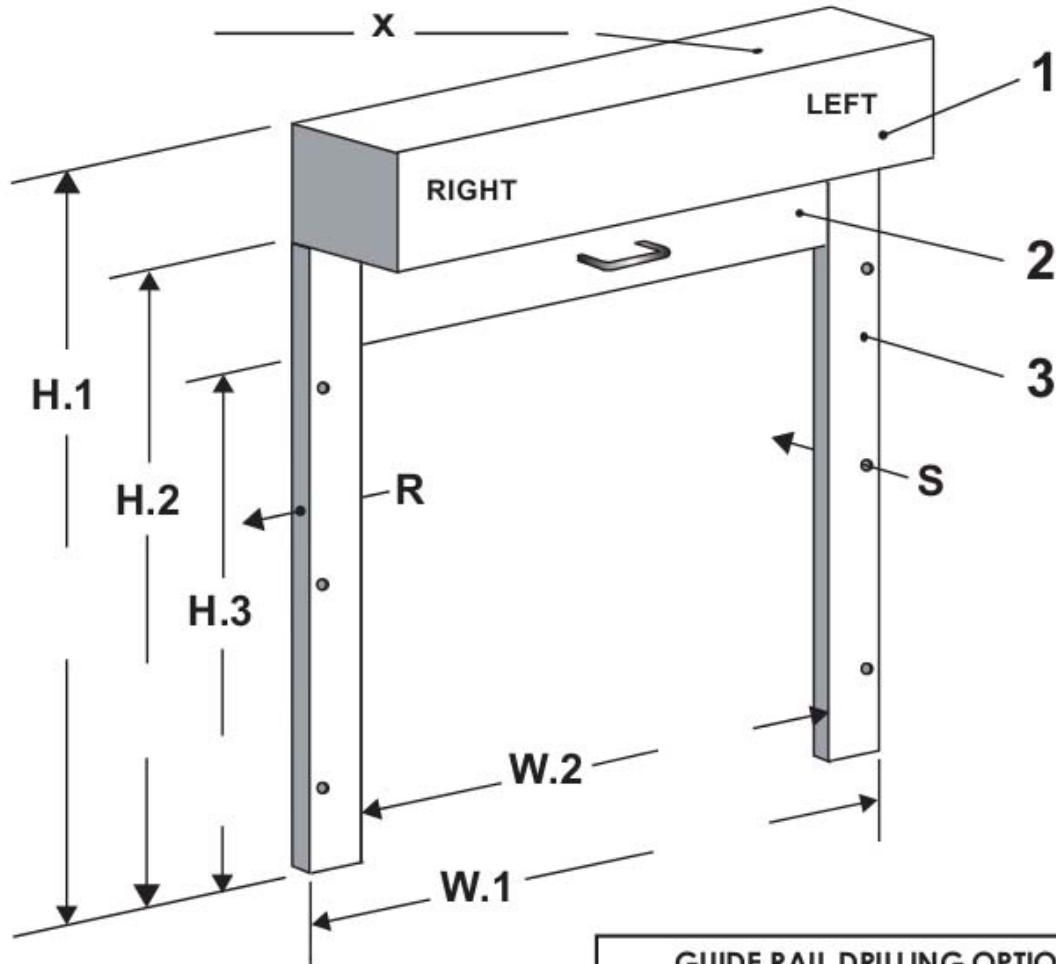




DIMENSIONS DIAGRAM

1-888-840-2833 Ext. 422 Fax: 817-649-1920 email: ron@rollok.com www.rollok.com

JOB NAME: _____



KEY TO DIAGRAM	
H.1 - Overall Height	1 - Housing
H.2 - Height of Guide Rail	2 - Bottom Slat
H.3 - Height to Bottom Slat	3 - Guide Rail
W.1 - Overall Width	R - Recess Drilling
W.2 - Surface Width	S - Surface Drilling

