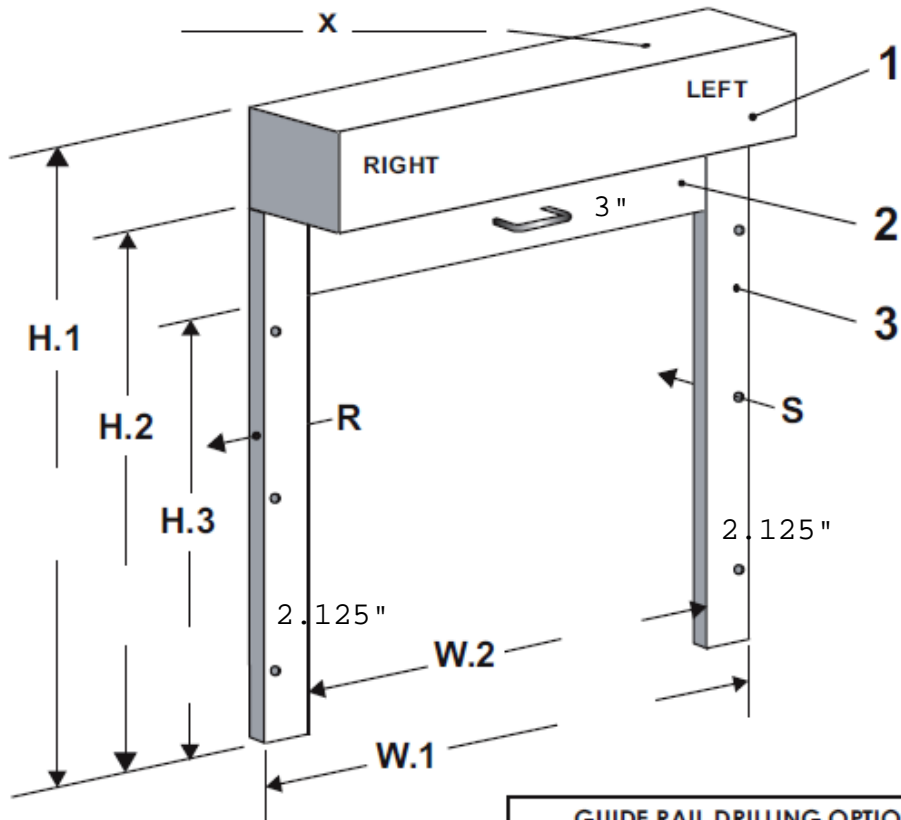




DIMENSIONS DIAGRAM

Sales@rollok.com Phone: 888-840-2833 Fax: 817-701-3856

JOB NAME: _____



KEY TO DIAGRAM	
H.1 - Overall Height	1 - Housing
H.2 - Height of Guide Rail	2 - Bottom Slat
H.3 - Height to Bottom Slat	3 - Guide Rail
W.1 - Overall Width	R - Recess Drilling
W.2 - Surface Width	S - Surface Drilling

