

PRICING/ORDER FORM

REQUEST FOR PROPOSAL ORDER

1.817.695.1010 www.rollok.com

FAX this form to: 1.817.701.3856

EMAIL to: sales@rollok.com

BILLING ADDRESS **SHIPPING ADDRESS**

Today's Date:

Company: _____

Company: _____

Purchase Order: _____

Contact: _____

Contact: _____

Job Name: _____

Address: _____

Address: _____

Desired Ship Date: _____

Ph # : _____

City: _____

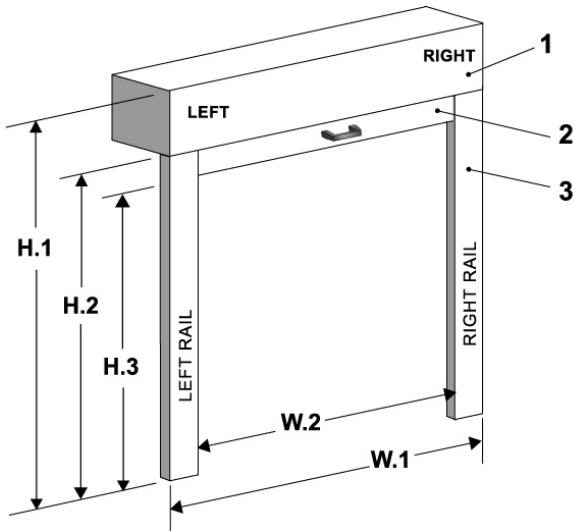
City: _____

Fax # : _____

State: _____ Zip: _____

State: _____ Zip: _____

E-mail: _____



INSTRUCTIONS: Please carefully measure your opening(s) and fill in the following:

NOTES

KEY TO DIAGRAM	Drilling Options	Lock & Handle Placement
H.1 - Overall Height (OAH) H.2 - Height of Guide Rail H.3 - Height to Bottom Slat W.1 - Overall Width (OAW) W.2 - Surface Width 1 - Housing 2 - Bottom Slat 3 - Guide Rail R - Recess Drilling S - Surface Drilling	 Recess Surface	 Top Front Back Bottom Side A Side B

QTY	WIDTH (W.1 or W.2)	HEIGHT (H.1, H.2, H.3)	Operation	COLOR	DRILLING OPTIONS	Lock/Handle Placement	Handle Type	Lock Type	BSS Stops	PRICE EACH
#	<input type="text"/>	<input type="text"/>	Spring or Motor	Silver, White, Beige, Black, Bronze	Surface (S) or Recess (R)	Which Side? (see above)	(See Prod. Guide)	(See Prod. Guide)	(See Prod. Guide)	(For office use only)
1										
2										
3										
4										

ESTIMATED FREIGHT COST (not included in total):

TOTAL PRICE OF DOORS :

QUOTE PREPARED BY :

(For office use only)

(For office use only)

The total price includes preparation for shipping, but does not include freight costs. If this proposal is satisfactory, you may sign and return to confirm the order. Once this proposal is signed and returned, we can begin production on your shutters. This proposal is effective for 60 days.

I accept and confirm this order. _____
Order Confirmation Signature
Date